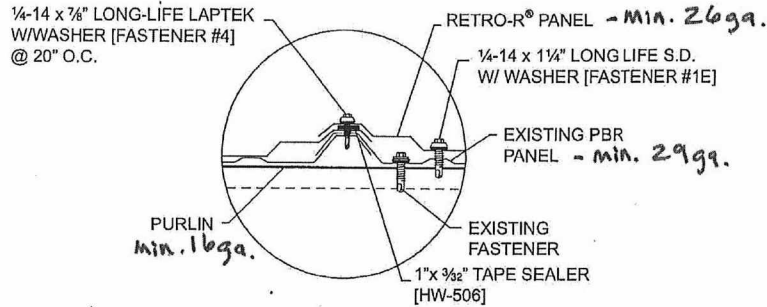
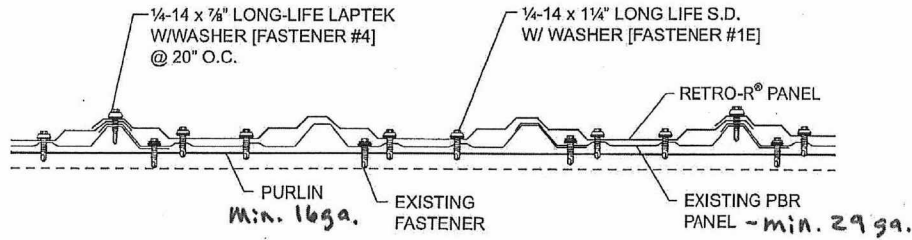


PRODUCT INFORMATION

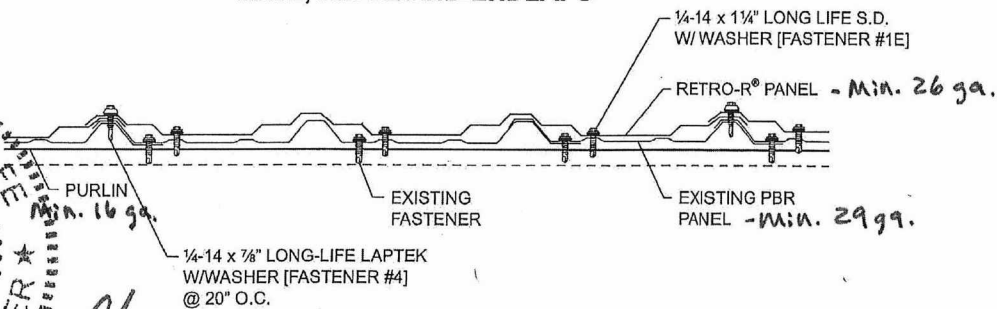
Retro-R® PANEL FASTENER LOCATIONS



PANEL ATTACHMENT AT SIDE LAP



PANEL ATTACHMENT AT EAVE, RIDGE AND ENDLAPS



PANEL ATTACHMENT AT INTERMEDIATE CONNECTIONS

State of Florida
C.O.A.
26778

TERRENCE E. WOLFE
LICENSED PROFESSIONAL ENGINEER
No. 44923
STATE OF FLORIDA

AUG 22 2016

NOTES:

1. The Retro-R® Panel has an unsymmetrical side lap. Panel side lap with widest dimension laps on top of side lap with narrow dimension. However, where possible, the panels should be lapped against prevailing wind.
2. The above are typical fastener spacings. However, they may not be appropriate for all applications. Consult a professional engineer for use on any specific application.
3. Minimum 1" x 3/32" tape sealer required at panel side laps.
4. Side lap fasteners are required. Typical spacing is 20" O.C. However, this spacing may not be appropriate for all applications. Consult a professional engineer for use on any specific application.